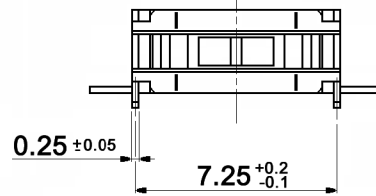
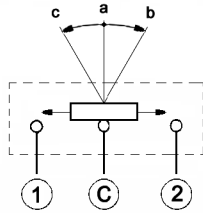
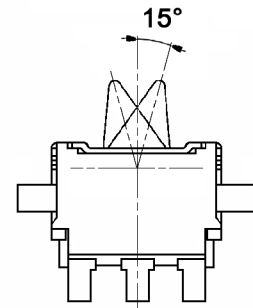
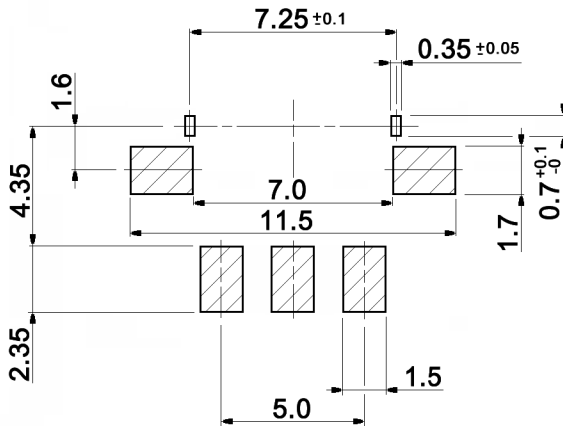


CIRCUIT DIAGRAM



P.C. BOARD SURFACE MOUNTING DIMENSIONS



Release point: inclination 15° max.
After operating several times,
measure of lever position.
Operating speed: 200mm/sec.

Compliance: RohS III (2015/863/EU)

Tolerances: up to 10: ±0.2mm above 10-50: ±0.3mm		Date	Name
		03/09	dr
Storage temperature	07/22	dr	
Rename	09/18	dr	
Rename	06/16	dr	
Rename	04/14	dr	
Modifications	Date	Name	

DTS 316 CxP-RT

knitter-switch

30 17 40

Page

1/2

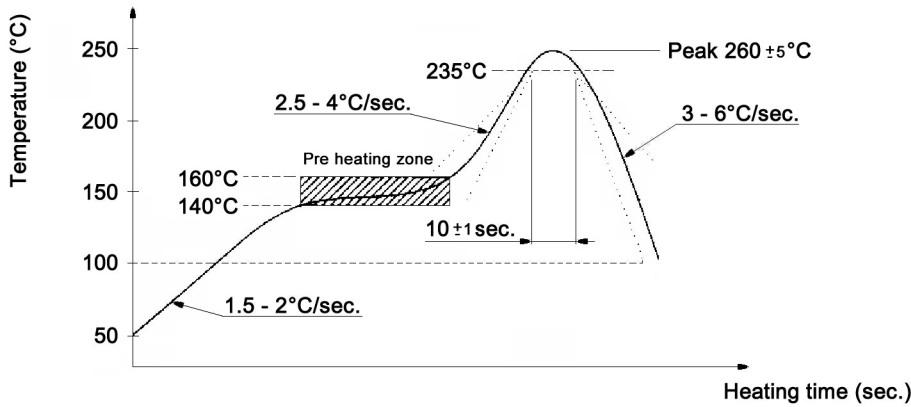
Specifications:

Contact rating: 10mA, 5V
 Contact resistance: 500mOhm max.
 Insulation resistance: 100MOhm min. at 100V for 1 minute
 Dielectric strength: 100V for 1 minute (50/60Hz, 2mA)
 Operating temperature: -40°C to +85°C
 Storage temperature: -40°C to +85°C
 Mechanical life: 3 000 000 cycles
 Operating force: 0.9N
 Material: Base / slider: PA46, black
 Frame: SPTE, tin plated
 Contact plate: PBS

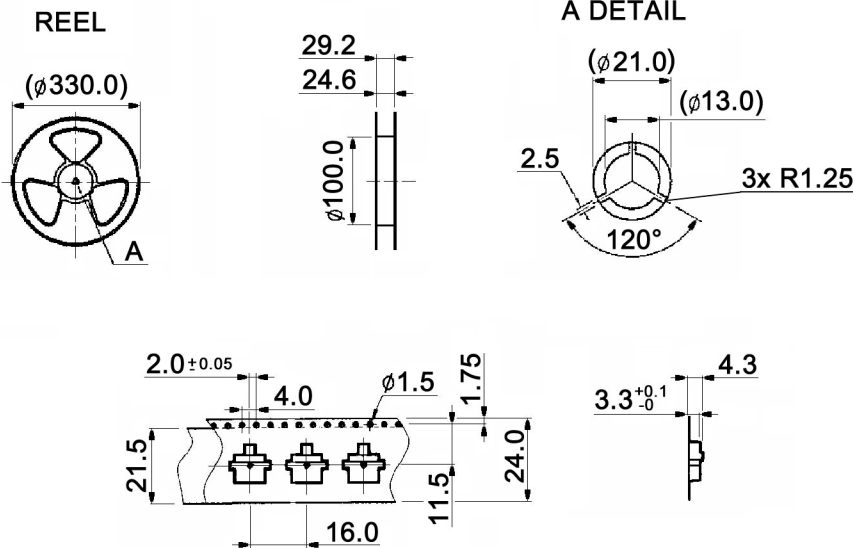
x	Contact / terminal surface
(empty)	silver plated
B	gold plated, 0.075 µm

Soldering conditions:

Reflow soldering



Packaging:



Packaging unit: 1 000 pcs. / reel
 Compliance: RohS III (2015/863/EU)

Tolerances: up to 10: ±0.2mm above 10-50: ±0.3mm	Date	Name
	03/09	dr
Storage temperature	07/22	dr
Rename	09/18	dr
Rename	06/16	dr
Rename	04/14	dr
Modifications	Date	Name

DTS 316 CxP-RT

knitter-switch

30 17 40

Page

2/2